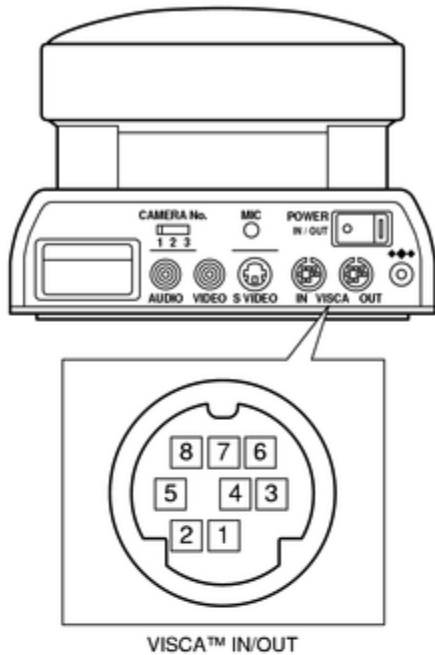


■ Connection



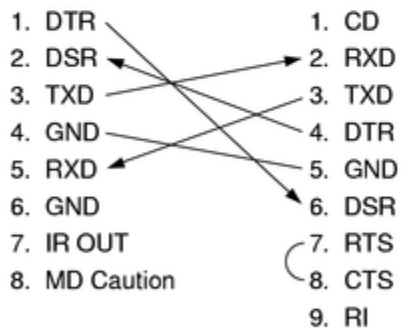
No	Signal	Description
1	DTR	Data Transmission Ready (OUTPUT)
2	DSR	Data Set Ready (INPUT)
3	TXD	Transmit Data (OUTPUT)
4	GND	Ground
5	RXD	Receive Data (INPUT)
6	GND	Ground
7	IR OUT	IR Commander Signal (OUTPUT)
8	MD Caution	Motion Detector Sensing Signal (OUTPUT)

IR OUT outputs IR commander signal as 5 Vdc when IR OUT switch is ON at the bottom of the base.

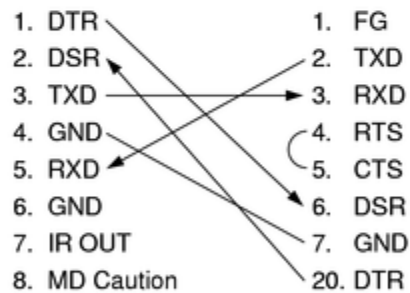
In case of OFF, both of IR OUT pin of VISCA™ IN and VISCA™ OUT connector shorted directly.

MD Caution outputs 5 Vdc when the camera detected a target.

● EVI-D30/D31 Windows D-Sub 9 pin



● EVI-D30/D31 Windows D-Sub 25 pin



● EVI-D30/D31 EVI or Macintosh

